

Addendum #3

FOR

***City of Pearl Parks and Recreation Phase 2:
City Park Improvements
Pearl, MS***

June 15, 2020

PICKERING FIRM, INC.
2001 Airport Parkway, Suite 201
Flowood, MS 39232
601-956-3663



DATE: June 15, 2020

PROJECT: **City of Pearl Parks and Recreation Phase 2: City Park Improvements
Pearl, MS**

NOTICE TO ALL BIDDERS: This Addendum modifies (changes, adds to, deletes from) and/or interprets the Bidding Documents (Project Manual and/or Drawings, as indicated), and becomes part of the Contract Documents when the Agreement between the Owner and Contractor is executed.

Drawings

Civil

1. The 4' tall black vinyl-coated chain link fence called out on C3.0 shall have a top and bottom rail.

Electrical

1. Replace the original drawing sheets with the following revised sheets clouded and noted with Revision 3-Addendum dated 6-15-20: **E0.0 and E0.3.**

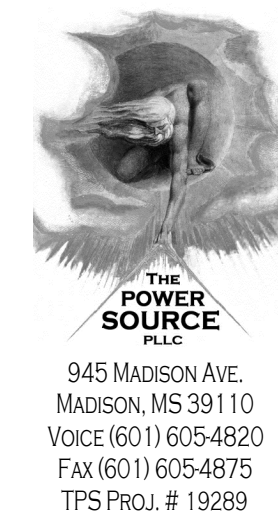
ELECTRICAL LEGEND

GENERAL NOTES	SWITCHES																											
<p>1. ALL EQUIPMENT AND DEVICES ARE TO BE FLUSH MOUNTED UNLESS OTHERWISE NOTED.</p> <p>2. DEVICES NOTED AS "GFI" SHALL BE GROUND FAULT CIRCUIT INTERRUPTING DEVICES.</p> <p>3. DEVICES NOTED AS "WP" SHALL BE WEATHERPROOF WHILE-IN-USE.</p> <p>4. DEVICES NOTED AS "DL" SHALL BE RATED FOR DAMP LOCATION.</p> <p>5. DEVICES NOTED AS "NL" SHALL BE NIGHT LIGHTS. PROVIDE UNSWITCHED POWER TO FIXTURE.</p> <p>6. DEVICES NOTED AS "WG" SHALL BE PROVIDED AND INSTALLED WITH A WIRE GUARD.</p> <p>7. DEVICES NOTED AS "TR" SHALL BE TAMPER RESISTANT.</p> <p>8. PROVIDE UNSWITCHED POWER TO EMERGENCY BATTERY PACKS.</p>	<p>§ SINGLE-POLE, SINGLE-THROW SWITCH. MOUNT CENTERLINE OF BOX AT 45"A.F.F. UNLESS NOTED OTHERWISE.</p> <p>Ⓛ LED DIMMER EQUAL TO LEVITON #IP710-LFZ MOUNT CENTERLINE OF BOX AT 45"A.F.F. UNLESS NOTED OTHERWISE.</p> <p>Ⓜ § AUTOMATIC WALL SWITCH. SENSORSWITCH #WSD-PDT OR APPROVED EQUAL. MOUNT CENTERLINE OF BOX AT 45" A.F.F. UNLESS NOTED OTHERWISE.</p> <p>Ⓜ Ⓛ AUTOMATIC WALL SWITCH WITH INTEGRAL 0-10V DIMMER. SENSORSWITCH #WSX-PDT-D-VA OR APPROVED EQUAL. MOUNT CENTERLINE OF BOX AT 45"A.F.F. UNLESS NOTED OTHERWISE.</p> <p>§ T HORSEPOWER RATED SWITCH WITH THERMAL OVERLOADS (MANUAL MOTOR STARTER).</p> <p>§ WPP WEATHER PROOF SWITCH.</p> <p>Ⓜ (M) PASSIVE INFRARED AND ULTRASONIC DUAL TECHNOLOGY OCCUPANCY SENSOR WITH A 28" RADIAL COVERAGE. CEILING MOUNTED. SENSORSWITCH #CM-PDT-10 OR APPROVED EQUAL.</p> <p>Ⓜ (P) POWER PACK MOUNTED ABOVE CEILING. SENSORSWITCH #PP20 OR APPROVED EQUAL.</p>																											
<p>LUMINAIRES (See Light Fixture Schedule)</p> <p>NOTE: THE NUMBER INSIDE THE CIRCLE IS THE CIRCUIT NUMBER. THE LETTER BESIDE THE SYMBOL IS THE FIXTURE TYPE DESCRIBED IN THE LIGHT FIXTURE SCHEDULE.</p> <p>Ⓛ-1 SURFACE MOUNTED OR SUSPENDED FIXTURE.</p> <p>Ⓛ-2 RECESSED CEILING FIXTURE.</p> <p>Ⓛ-3 PENDANT MOUNT FIXTURE.</p> <p>Ⓛ-4 EMERGENCY LIGHTING.</p> <p>Ⓛ-5 WALL MOUNTED FIXTURE.</p> <p>Ⓛ-6 SITE ARM MOUNT POLE LIGHT FIXTURE.</p> <p>Ⓛ-7 CEILING FAN.</p>	<p>CONDUIT AND WIRING</p> <p>CONDUCTORS IN CONDUIT CONCEALED WITHIN WALL OR CEILING. TIC MARKS INDICATE NUMBER OF CONDUCTORS. THE EQUIPMENT GROUNDING CONDUCTOR IS NOT SHOWN, BUT SHALL BE PROVIDED. SIZE THE EQUIPMENT GROUNDING CONDUCTOR AND THE CONDUIT PER THE NEC. THE ABSENCE OF TIC MARKS SIGNIFIES THAT TWO CONDUCTORS PLUS AN EQUIPMENT GROUNDING CONDUCTOR SHOULD BE PROVIDED. FOR EXAMPLE, THE MARKINGS TO THE LEFT SIGNIFY THAT THREE CONDUCTORS PLUS AN EQUIPMENT GROUNDING CONDUCTOR SHOULD BE PROVIDED.</p> <p>THE TEXT INSIDE THE ARC INDICATES THE AWG SIZE OF THE CONDUCTORS THAT SHALL BE RUN IN THE CONDUIT. THE ABSENCE OF TEXT SIGNIFIES THAT THE CONDUCTORS SHOULD BE #12 AWG.</p> <p>CIRCUITRY RUN IN STRAIGHT LINE SEGMENTS SIGNIFIES EXPOSED SURFACE-MOUNTED RACEWAY (SEE SPECIFICATIONS).</p> <p>CONDUCTORS IN CONDUIT CONCEALED BELOW GRADE OR FLOOR. TIC MARKS INDICATE NUMBER OF CONDUCTORS. THE EQUIPMENT GROUNDING CONDUCTOR IS NOT SHOWN, BUT SHALL BE PROVIDED. SIZE THE EQUIPMENT GROUNDING CONDUCTOR AND THE CONDUIT PER THE NEC. THE ABSENCE OF TIC MARKS SIGNIFIES THAT TWO CONDUCTORS PLUS AN EQUIPMENT GROUNDING CONDUCTOR SHOULD BE PROVIDED. THE MARKINGS TO THE LEFT SIGNIFY THAT THREE CONDUCTORS PLUS AN EQUIPMENT GROUNDING CONDUCTOR SHOULD BE PROVIDED.</p> <p>LA-1 HOMERUN TO PANELBOARD. ARC DENOTES CONCEALED CIRCUITRY. TEXT DENOTES PANELBOARD NAME WITH CIRCUIT NUMBER. DEVICES HAVING CIRCUIT NUMBERS LOCATED BESIDE THEM MAY NOT SHOW THE CIRCUIT NUMBERS AT THE HOMERUN ARROWS.</p> <p>LA-1 PARTIAL HOMERUN TO PANELBOARD. COMBINE ALL PARTIAL HOMERUNS THAT ARE ON THE SAME CIRCUIT IN A JUNCTION BOX PRIOR TO ENTERING THE PANELBOARD.</p> <p>LOW VOLTAGE CONDUCTORS USED FOR MOTION DETECTOR CIRCUITRY. SEE MANUFACTURER'S RECOMMENDATIONS FOR CONDUCTOR REQUIREMENTS.</p>																											
<p>MISCELLANEOUS</p> <p>Ⓜ CONTACTOR.</p> <p>Ⓜ (PE) WALL MOUNTED PHOTOCELL.</p> <p>Ⓜ (C) CEILING MOUNTED JUNCTION BOX.</p> <p>Ⓜ (Q) WALL MOUNTED JUNCTION BOX.</p>																												
<p>RECEPTACLES</p> <p>Ⓜ (D) DUPLEX RECEPTACLE, NEMA 5-20R, MOUNTED 18" A.F.F. TO CENTERLINE OF BOX UNLESS NOTED OTHERWISE.</p> <p>Ⓜ (DD) DOUBLE DUPLEX RECEPTACLE, NEMA 5-20R, ONE COVER PLATE, MOUNTED 18" A.F.F. TO CENTERLINE OF BOX UNLESS NOTED OTHERWISE.</p> <p>Ⓜ (D) DUPLEX RECEPTACLE, NEMA 5-20R, MOUNTED WITH BOTTOM OF BOX 2" ABOVE COUNTER BACKSPASH. WHERE THERE IS NO BACKSPASH MOUNT 6" ABOVE COUNTER. WHERE RECEPTACLE IS SHOWN IN AN AREA WITH NO COUNTER, MOUNT 45"A.F.F. TO CENTERLINE OF BOX.</p> <p>Ⓜ (DF) DUPLEX RECEPTACLE, NEMA 5-20R, FOR DRINKING FOUNTAIN FED FROM GFCI BREAKER. MOUNTED IN ACCORDANCE WITH MANUFACTURER'S ROUGH-IN REQUIREMENTS. VERIFY CONNECTION TYPE PRIOR TO BID. RECEPTACLE SHALL BE MOUNTED, CONCEALED BEHIND THE SHROUD OF THE DRINKING FOUNTAIN.</p>																												
<p>COMMUNICATIONS</p> <p>Ⓜ DATA OUTLET MOUNTED 18" A.F.F. TO CENTERLINE OF BOX UNLESS NOTED OTHERWISE.</p> <p>Ⓜ (W) WIFI.</p>																												
	<p>VOLTAGE DROP CHART FOR 20A, 1Ø CIRCUITS</p> <table border="1"> <thead> <tr> <th>Voltage</th> <th>Circuit Length</th> <th>Conductor Size (AWG)</th> </tr> </thead> <tbody> <tr> <td>120</td> <td>< 50'</td> <td>#12</td> </tr> <tr> <td>120</td> <td>> 50'</td> <td>#10</td> </tr> <tr> <td>120</td> <td>> 90'</td> <td>#8</td> </tr> <tr> <td>120</td> <td>> 140'</td> <td>#6</td> </tr> <tr> <td>277</td> <td>< 130'</td> <td>#12</td> </tr> <tr> <td>277</td> <td>> 130'</td> <td>#10</td> </tr> <tr> <td>277</td> <td>> 200'</td> <td>#8</td> </tr> <tr> <td>277</td> <td>> 330'</td> <td>#6</td> </tr> </tbody> </table> <p>VOLTAGE DROP CHART NOTES:</p> <p>1) CIRCUIT SIZES INDICATED ON THE DRAWINGS ARE MINIMUM REQUIREMENTS. REFER TO THIS CHART FOR UPSIZING CONDUCTORS AS NEEDED.</p> <p>2) DO NOT CONNECT CONDUCTORS LARGER THAN #10 DIRECTLY TO A RECEPTACLE OR A SWITCH. PROVIDE A JUNCTION BOX TO DOWNSIZE THE CONDUCTOR TO #12 AT THE DEVICE.</p> <p>3) FOR CIRCUITS LONGER THAN THOSE LISTED ABOVE, CONSULT WITH THE ENGINEER FOR CONDUCTOR SIZES.</p>	Voltage	Circuit Length	Conductor Size (AWG)	120	< 50'	#12	120	> 50'	#10	120	> 90'	#8	120	> 140'	#6	277	< 130'	#12	277	> 130'	#10	277	> 200'	#8	277	> 330'	#6
Voltage	Circuit Length	Conductor Size (AWG)																										
120	< 50'	#12																										
120	> 50'	#10																										
120	> 90'	#8																										
120	> 140'	#6																										
277	< 130'	#12																										
277	> 130'	#10																										
277	> 200'	#8																										
277	> 330'	#6																										
	<p>GEAR</p> <p>Ⓜ (F) FUSED DISCONNECT SWITCH. TEXT INDICATES AMPACITY/NUMBER OF POLES/ENCLOSURE TYPE; F--(RATING OF FUSES).</p> <p>Ⓜ (NF) NON-FUSED DISCONNECT SWITCH. TEXT INDICATES AMPACITY/NUMBER OF POLES/ENCLOSURE TYPE.</p> <p>Ⓜ (P) PANELBOARD.</p>																											

LIGHTING FIXTURE SCHEDULE

TYPE	MANUFACTURER	PART NUMBER	LAMPS	MOUNTING	REMARKS
A	LITHONIA	LBL4-3000LM-80CRI-40K MIN10-GZT-MVOLT	LED, 25.6W 3288 LUMENS	SURFACE	
B	LITHONIA	LDN6-40/10-LO6-AR-LSS-MVOLT GZ10	LED, 10.4 950.1 LUMENS	RECESSED	
C	LITHONIA	LDN6CYL-40/15-LO6-AR-LSS-MVOLT-PM-*	LED, 17.5W 1514 LUMENS	PENDANT	*COLOR BY ARCHITECT.
D	HUNTER	HUNTER HFC-72 OUTDOOR FAN ITEM #59136		CEILING FAN	VERIFY FINISH WITH ARCHITECT.
F	MOON VISION	BR30-120V-USR30-TMB-*	LED	KNUCKLE	INCLUDE 24 FIXTURES AND 200' OF 3 #12, #12(G), 1" PER FIXTURE, LOCATION TBD.
G	LITHONIA	WST LED-P1-40K-VF-MVOLT-*	LED 1500 LUMENS	WALL	*COLOR BY ARCHITECT.
H	BARNLIGHT	ASF14-**-980-SWK-WC-NA-NA LED16-4000K-DL	LED, 16W 1250 LUMENS	WALL	*TBD BY ARCHITECT.
J	LITHONIA	OLCFM-15-*	LED	SURFACE	
SA	NLS	VUE-3-TT-192L-1-40K-UNV-KM *-10K	LED, 594W 62370 LUMENS	BULLHORN	*COLOR BY ARCHITECT.
SB	LITHONIA	RSX1 LED-P1-40K-R5-240-SPA-*	LED, 51W 7286 LUMENS	16' POLE SSS-16-4C	*COLOR BY ARCHITECT.
SC	LITHONIA	RSXF4 LED-P8-40K-NFL-240-IS-*	LED, 646W 83610 LUMENS	POLE SSS-35-6C	
SD	LITHONIA	RSX1 LED-P2-40K-R4-240-SPA-*	LED, 72W 9972 LUMENS	25' POLE SSS-25-4C	*COLOR BY ARCHITECT.
SF	LITHONIA	RSX1 LED-P2-40K-R3-240-SPA-*	LED, 144W (2) 9843 LUMENS	25' POLE SSS-25-4C	*COLOR BY ARCHITECT. DOUBLE HEAD
EM	LITHONIA	ELM4L	LED, 11W 610 LUMENS	WALL	

3



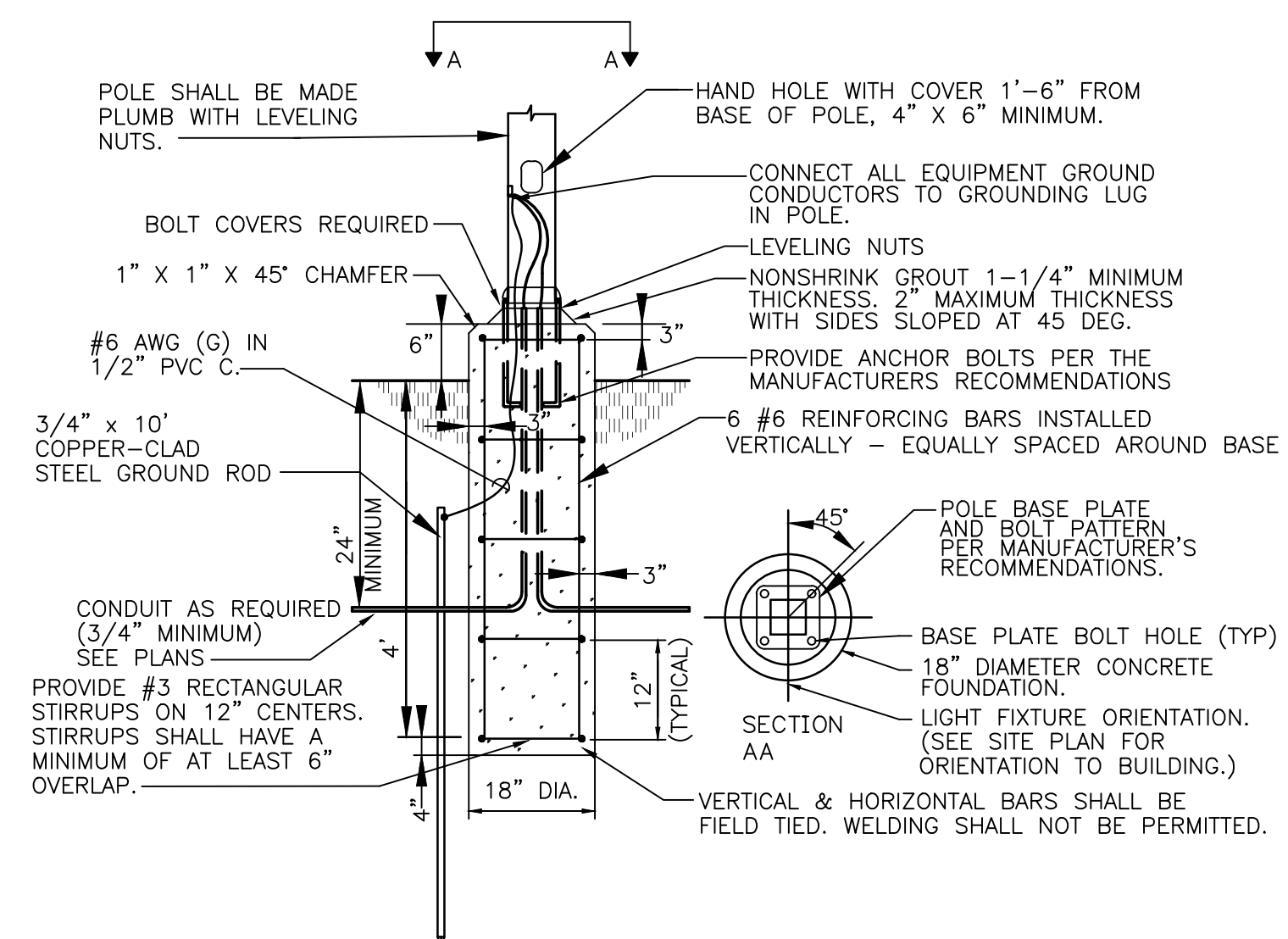
CITY OF PEARL CITY PARK IMPROVEMENTS

CITY OF PEARL
320 CITY CENTER DRIVE
PEARL, MS 39208

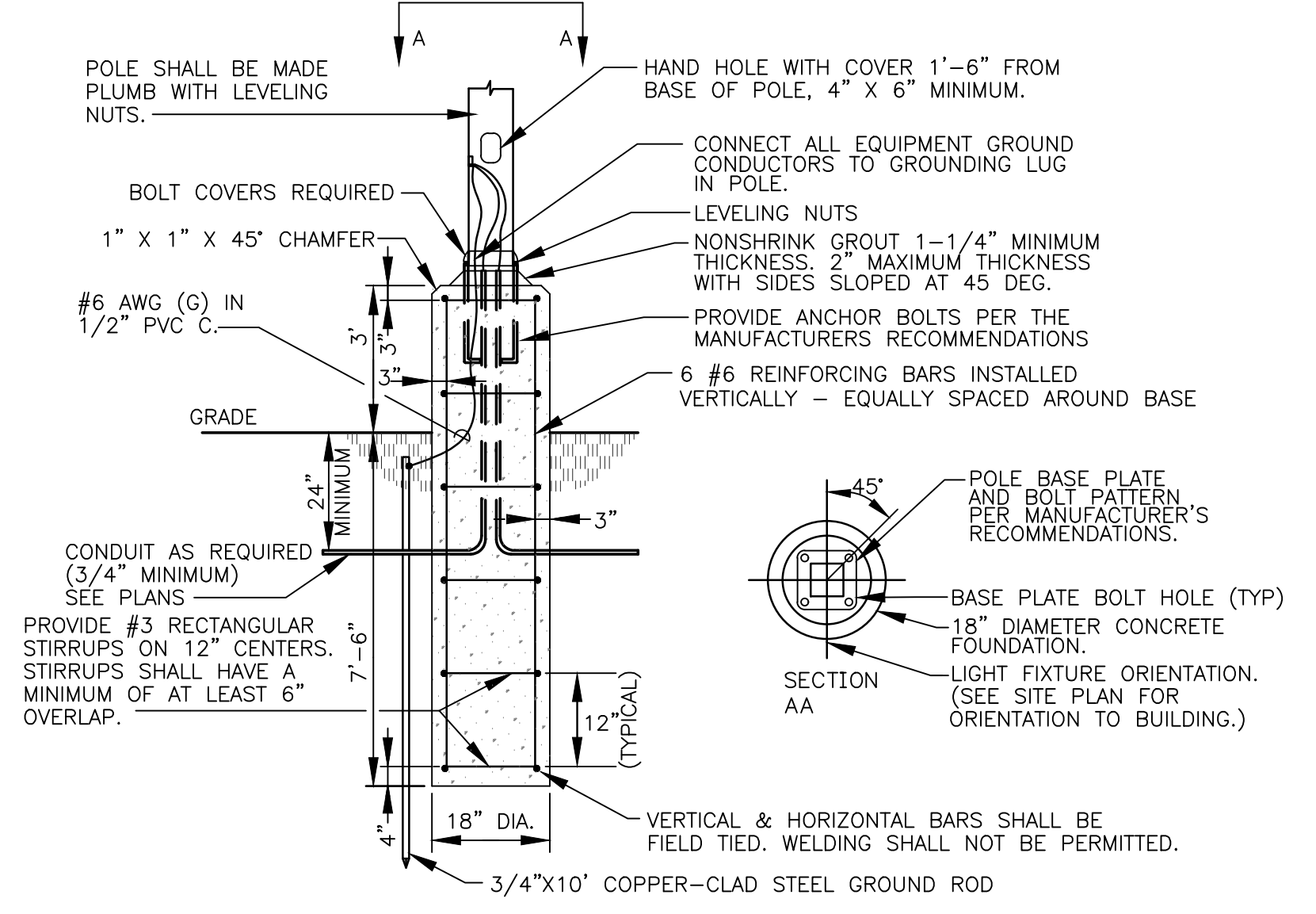


NOTES:

- 3500 PSI MINIMUM 28 DAY COMPRESSIVE STRENGTH CONCRETE WITH GRADE 60 RE-BARS.
- IF WATER IS PRESENT IN HOLE, REMOVE BEFORE POURING CONCRETE.
- FOUNDATION EXCAVATION SHALL BE BY 24" AUGAR IN UNDISTURBED OR PROPERLY COMPACTED FILL.
- MINIMUM ALLOWABLE SOIL BEARING PRESSURE 3000 PSF. NOTIFY ENGINEER IF BEARING PRESSURE IS LESS.
- AIR ENTRAINMENT: 4 TO 6%.



2 WALKING TRACK - POLE BASE DETAIL
Scale: NONE



3 PARKING LOT/FOOTBALL FIELD - POLE BASE DETAIL
Scale: NONE

04.29.2020

CONSTRUCTION DOCUMENTS
WBA # 3518

NO.	DESCRIPTION	DATE
△	ADDENDUM	6/5/2020
△	ADDENDUM	6/10/2020
△	ADDENDUM	6/15/2020

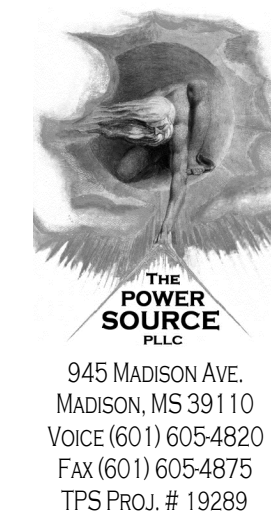
E0.0

KEYED NOTES	
Mark	Description
①	REPLACE EXISTING DISCONNECT WITH A NEMA 3R PANEL NN2.



oration © 2020 DigitalGlobe ©CNES (2020) Distribution Airbus DS

① JENKINS PARK SITE PLAN
E0.3 Scale: 1" = 40'-0"

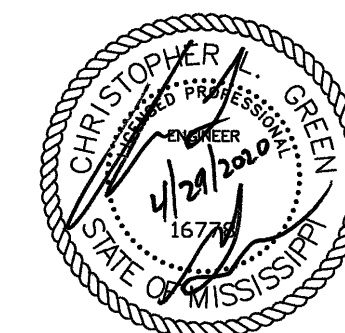


945 MADISON AVE.
MADISON, MS 39110
VOICE (601) 605-4820
FAX (601) 605-4875
TPS PROJ. # 19289



CITY OF PEARL
CITY PARK
IMPROVEMENTS

CITY OF PEARL
320 CITY CENTER DRIVE
PEARL, MS 39208



04.29.2020

CONSTRUCTION
DOCUMENTS
WBA # 3518

NO.	DESCRIPTION	DATE
△	ADDENDUM	6/5/2020
△	ADDENDUM	6/10/2020
△	ADDENDUM	6/15/2020

E0.3