



17 February 2020

Copiah-Lincoln Community College | New Tennis Complex
WBA Project #7318



ADDENDUM NO. 01

NOTICE TO ALL DOCUMENT HOLDERS:

The following additions, deletions, changes and clarifications to the drawings and specifications are to be included as part of the Contract Documents.

GENERAL

ITEM NO. 1

FRONT END SPECIFICATIONS

Contractor is responsible for thoroughly reviewing Divisions 00 and 01 of the project Specifications and is responsible for ensuring that all Bid Proposals meet the provisions required therein. This includes, but is not limited to, meeting all bid requirements, administrative, job site, supervision, and quality requirements, etc.

ITEM NO. 2

EROSION CONTROL CLARIFICATION

Contractor is responsible for providing silt fencing and other erosion control methods as necessary to protect the existing turf field, adjacent to the project site, from runoff.

ITEM NO. 3

STRUCTURAL DESIGN CLARIFICATION

The steel truss column design is only required for the first 10'-0" of vertical length of the scoreboard column supports (where visible below the scoreboard). The remainder of the structural steel required to support the scoreboard, including additional column/vertical support length, will be designed by the contractor's engineer to meet the structural specifications and loading requirements provided by the design structural engineer.

SPECIFICATIONS

ITEM NO. 4

27.4163 VIDEO SCOREBOARD AND RELATED SYSTEMS

REPLACE Specification with the attached revised section **27.4163**.

Revises the following paragraphs of the specification:

- Section 1, Paragraph 1.5.C
- Section 2, Paragraph 2.1.A – *Approved Manufacturers*
- Section 2, Paragraph 2.2.I
- Section 2, Paragraph 2.2.U – *Cabinet Enclosures Construction & Finishes*

DRAWINGS

ITEM NO. 5 SHEET A101 ARCHITECTURAL SITE PLANS & SCOREBOARD ELEVATIONS

REPLACE sheet with attached revised sheet **A101**.

Revises the scoreboard location.

Revises elevation drawings to show drilled caisson foundations.

ITEM NO. 6 SHEET S101 STRUCTURAL NOTES & PLANS

2/S101 – FOUNDATION PLAN

REVISE detail references for 1/S102 to 3/S102

Revises spread footing foundation design to drilled pile foundation. Disregard linework and dimensions related to the spread footings.

ITEM NO. 7 SHEET S102 STRUCTURAL DETAILS

REPLACE sheet with attached revised sheet **S102**.

Revises spread footing foundation design to drilled pile foundation.

Encl: Specifications (8.5x11):

27.4163 VIDEO SCOREBOARD AND RELATED SYSTEMS

Drawings (24x36):

A101 ARCHITECTURAL SITE PLANS & SCOREBOARD ELEVATIONS, **S102** STRUCTURAL DETAILS

cc: All Document Holders

File 7318 C2



VIDEO SCOREBOARD AND RELATED SYSTEMS

Revised via Addendum No. 01 on 17 February 2020

PART 1 - GENERAL**1.1 WORK INCLUDES**

- A. The General Provisions of the Contract, including General and Supplementary Conditions, and Division 0 and Division 1, apply to the work specified in this Section.
- B. Provide a complete system as herein specified and as indicated on plans. Including:
 - 1. Video Board
 - 2. Set of Play Clocks
 - 3. Controller Console / User Interface
 - 4. Sponsor Signs
- C. Provide all equipment, materials, labor, supervision, test equipment, and services necessary for or incidental to the installation of each complete and operating Video Replay System, Scoreboard System, Sound System, Camera, and Crew Intercom System, built to commercial standards. Equipment shall be provided and installed as shown or indicated on the drawings and as specified.
- D. Installing contractor shall be responsible for providing all interconnecting cabling, faceplates, terminations, testing, etc. as required for a complete and operating system. This shall also include any fiber cabling and transceivers as required to extend camera video signal from filming locations to equipment location in Pressbox. The designated filming locations are as follows:
 - 1. **South Corner of Press box 2nd Floor**
 - 2. **Home Radio Booth**
 - 3. **Top of Hill on the South Side of Field in Line with End Zone**
- E. Equipment specified herein is designed to provide specific functional and operational characteristics. It is the responsibility of the Scoreboard System Contractor to provide all features and functions as outlined in these specifications.
- F. It shall be the responsibility of the qualified Electrical Sub-Contractor to provide and install all conduit systems, standard electrical boxes, and operating power for the system as outlined herein and to connect with existing electrical services on site. The Video Replay System Contractor shall coordinate all system requirements with and provide special back boxes to a qualified Electrical Sub-Contractor prior to installation of conduit.
- G. Testing for all requirements shall be performed with all equipment, cable runs, and wiring devices in place.
- H. Provide a service contract and warranty as outlined in Part 3 of these specifications
- I. Provide all documentation and training as outlined in these specifications.

1.2 RELATED SECTION

- A. Section 27 05 00 - General Communication Systems Requirements.

1.3 CODES AND REGULATIONS

- A. Perform all work in strict accordance with the requirements and recommendations stated in the codes and standards except when requirements are exceeded by the contract documents.
- B. The equipment, materials, and installation shall conform to the latest version of all applicable codes, standards and regulations of authorities having jurisdiction including the following:
 - 1. NFPA 70, National Electrical Code.
 - 2. NFPA 101, Code for Safety to Life from Fire in Buildings and Structures.
 - 3. All applicable parts will be FCC Class B approved.
 - 4. Americans with Disabilities Act.
 - 5. International Building Codes (IBC).
 - 6. Local and State Building Codes.

7. All requirements of the local Authority Having Jurisdiction (AHJ).

1.4 SUBMITTALS

- A. Submittal procedures: See Section 27 05 00.
- B. Submit a complete submittal package within 30 calendar days after award of this work for approval. Equipment is not to be ordered without approval. Partial submittals are not acceptable for review. Each submittal shall include a dated transmittal.
- C. Submittal may be electronically transmitted in PDF file format (preferred) or paper copies may be provided in quantities indicated in Division 1. Paper copies shall be organized including index tabs in a 3-ring black binder of sufficient size.
- D. Product Data Submittal including special boxes, cable, and other material as requested by the Engineer including:
 1. A cover sheet with the name and location of the project, the name, address, and telephone number of the Contractor, and the name, address, and telephone number of the submitting sub-contractor. Include on or after the cover sheet sufficient space for review stamps.
 2. An indication of any deviations from Contract Document requirements, including variations and limitations. Show any revisions to equipment layout required by use of selected equipment.
 3. A product data index and complete equipment list including for each product submitted for approval the manufactures name and part number, including options and selections.
 4. Cut-sheets or catalog data illustrating the physical appearance, size, function, compatibility, standards compliance, and other relevant characteristics of each product on the equipment list. Indicate by prominent notation (an arrow, circle, or other means) on each sheet the exact product and options being submitted.
 5. Submit design data, when the scope of work requires, including calculations, schematics, risers, sequences, or other data.
 6. Any resubmittal shall include a complete revised equipment list and any product data that is revised.
- E. Submit shop drawings locating all components and labeling of cable systems. Submit wiring diagrams of each system showing typical connections for all equipment, indicating circuit routing, cable type, and gauge. Shop or coordination drawings shall include information that will allow to the Contractor to coordinate interdisciplinary work and when necessary guide the manufacturer or fabricator in producing the product. Shop or coordination drawings shall be specifically prepared to illustrate the submitted portion of work, this may require diagrams, schedules, details, and accurate to scale equipment and device layouts prepared using a CAD or BIM engineering drawing program.

1.5 QUALIFICATIONS OF A PROPOSED CONTRACTOR

- A. Proposed contractors who do not currently possess the necessary qualifications, trained and experienced personnel, financial capacity, and meet the other requirements herein described will be disqualified.
- B. The presentation system contractor shall be an established communications and electronics contractor that has had and currently maintains a locally run and operated business. The contractor shall be a duly authorized distributor for the equipment supplied, with full manufacturer's warranty privileges. The contractor shall stock spare parts and maintain a staff of trained technicians. The contractor shall have been actively engaged in the business of selling, installing, and servicing similar systems for a period of at least five (5) years under the same business name.
- C. The proposed contractor shall have an office staffed with trained technicians who are qualified and licensed to supervise the installation, to be responsible that the system is installed as submitted, to conduct system start up and perform a 100 percent operational audit of all installed devices, to instruct the Owners representatives in the proper operation of the system, and to provide service throughout the warranty period. **The contractor shall be capable of dispatching technicians to repair a system within six hours of a service request and be on site within 12 hours of same service request.**

VIDEO SCOREBOARD AND RELATED SYSTEMS

- D. The presentation system contractor shall be fully experienced in the design and installation of audio-video systems as herein specified, and shall have a minimum of five projects in a similar scope of work and at least 10 years' experience in the scoreboard industry.
- E. The Contractor shall employ factory-trained technicians capable of supporting the maintenance of the system. No contract employees are allowed unless they have been to the factory service school within the last 18 months. A certificate of this training shall be provided with the contractors' submittal.
- F. The Proposed Contractor shall not have any grievances or complaints of record regarding workmanship, code compliance, or service response. A Proposed Contractor that has any prior finding(s) of a code violation or has any litigation in process concerning the installation of a communication system is unacceptable.
- G. The Owner may investigate, as they deem necessary to determine the ability of the proposed Contractor to perform the work. The proposed Contractor shall furnish to the Owner with any information or data requested for this purpose.
- H. The Owner reserves the right to reject any contract proposal if the evidence submitted, or their investigation, fails to indicate that the Contractor is qualified to fulfill of any part of the contract or to complete the work contemplated therein.
- I. The Owner reserves the right to reject the proposal of any Contractor who has previously failed to perform properly, or complete on time, contracts of a similar nature.

1.6 WARRANTY

- A. Manufacturer to provide 5 year, no dollar limit warranty on parts, material, labor and installation (including workmanship) on all audio-visual components, structural components and all accessories required for a full and complete system. On-site service shall be provided for the first 3 years of warranty coverage at no charge for warranty type repairs.
- B. Computer Equipment shall be warranted by the manufacturer for a period of three years, all software will include free updates for a period of two years.
- C. Direct on-site service is to be provided for a period of 3 years at no charge to the Owner for any warranty type of repairs. Direct on-site service, if necessary, is to be provided directly by scoreboard selling company during the remainder of the 5 year warranty period. All on-site warranty service call charges to be provided, if necessary, at a reasonable charge by the scoreboard selling company during the warranty period. All labor costs for warranty repairs to be covered under warranty as indicated above.
- D. As part of the closeout process the manufacturer shall provide the Owner with options for warranty extension services.

PART 2- PRODUCTS

2.1 GENERAL

- A. Approved Manufacturer's
 - 1. ACE Sports, a Division of ACE Signs Company; 11935 Interstate 30, Little Rock, AR, 72209; phone 800.224.1366
 - 2. Daktronics; 201 Daktronics Drive, Brookings, SD 57006-5128, phone 800.325.8766
 - 3. Watchfire Signs; 1015 Maple Street, Danville, IL 61832; phone 217.442.0611
 - 4. Scorevision, LLC; 11742 Stonegate Circle, Omaha, NE 68164; phone 402.253.0250
 - 5. **Rainey Electronics, Inc.; 19023 Colonel Glenn Road, Little Rock, AR 72201; phone 501.821.4700**
- B. The following sections specifically list the acceptable equipment types and items for this project. Where quantities are not noted, they may be obtained from the drawings. In the event of a discrepancy between the specifications and the drawings, the greater quantity or better quality shall be furnished.
- C. Furnish, deliver, erect, mount, connect and complete all the material and appliances described herein and in the drawings, and also all other incidental material and appliances, tools, transportation, etc., required to

make the work complete, in accordance with the true intent of these plans and specifications, and as required to leave the system in first class operating condition.

- D. All date keeping hardware, firmware, and software provided shall be fully compliant with years designated in four-digit data format. Any time equations must function normally, leap year, and daylight savings time must be supported.
- E. Perform all assembly of equipment, wiring, and interconnection and soldering of wires to jacks, devices, terminals, or equipment, using technical employees only, who are experienced in the installation of sound equipment and its interconnection.

2.2 BASE LED VIDEO SCOREBOARD

- A. It is the responsibility of the Contractor to provide all features and functions as outlined in these specifications.
- B. The functions and features identified in this specification section are vital to the operation of this facility; therefore, inclusion in the list of acceptable manufacturers does not release the contractor from strict compliance with the requirements of this specification.

C. GENERAL INFORMATION

- 1. Bid:
 - a. Contractor to provide all necessary equipment to meet the requirements of the Video Scoreboard. This includes, but is not limited to, LED Panels, Processing, Cabling, Structural Engineering, Structural Work, Electrical Work, and more.
 - b. Approximate active area 24 Feet in Height and 44 Feet in Length. Installed with custom truss poles and header per drawing. Contractor is responsible to perform the work of the custom build with no exceptions. Includes 43" tall channel letter with 5' in Height and 44' in Width custom topper.
 - c. The system shall be capable of being a digital scoreboard, live video playback, video replay, and more.
 - d. Standard LED Digit Scoreboard to go underneath the Video Board. Approximate 8' in Height x 30' in Width (*per manufacturer dimensions). Must include play clock, score, down, yards to go, ball on, quarter, and time outs left. Includes white LED digits, scoring controller and (2) hand held remote controllers for game time and delay of game clocks.
 - e. The Video Scoreboard shall be accompanied by (2) Advertisement Segments measuring 8' in Height and 6'-3" in Length, (1) Advertisement Segment underneath scoreboard measuring 40" in Height and 44' in Width. The static advertisement panes shall be provided by the contractor, based on advertisements sold by the district. Contractor shall work with the district to get the proper graphics required for printing.
 - f. Contractor to provide 6' in Height and 8' in Width custom sound cabinet above video board. Includes mesh covering for speaker system.
 - g. Contractor to coordinate all installation procedures with general contractor.
 - h. The Video Scoreboard must interface with new standard scoreboard and new delay of game clocks. New Delay of Game Clocks are to be a minimum of 28" in Height and are to be installed on existing pole structures. Includes (2) new sponsor panes and cabinets approximate 4' in Height and 6' in Width. Cabinets are to be fabricated flush with delay of play clocks frame.
 - i. Base Bid includes some new equipment in the Pressbox and some Owner Furnished Equipment.
- 2. Structural Requirements
 - a. The contractor is responsible for providing proper signed and sealed prints approving the structure of the scoreboard and the added speaker cabinets. Design of structure is to include the reinforced concrete foundation, steel structure capable of handling gravity and lateral loading for the video boards and game clocks.
 - b. The speaker cabinets must follow the design as presented in the bid documents but must be approved by the contractor's structural engineer.
 - c. See Structural Drawings for Minimum Structural Requirements.
- 3. Electrical Requirements

VIDEO SCOREBOARD AND RELATED SYSTEMS

- a. Install power to new score board and provide all necessary materials, trenching, backfilling and compaction for a complete job.
 - b. Size electrical provisions in coordination with the Scoreboard manufacturer's detailed requirements. Install new panels and transformers as necessary.
 - c. The contractor is responsible to provide raceways and fiber optic connection between the press box and the scoreboard.
 - d. See electrical drawings and specifications for additional information.
- D. PIXEL CHARACTERISTICS
1. Each pixel shall consist of one (1) red, one (1) green and one (1) blue through-hole LED (DIP).
 - a. Pixels with an overbalance of a single LED color (e.g. two (2) red, one (1) green, one (1) blue) shall not be acceptable.
 2. Pixel spacing measurement shall be measured from the center points of neighboring physical pixels, rather than neighboring physical and virtual pixels.
 3. Must be a minimum of 360 full pixels per square feet.
- E. LED MODULE/PANEL CHARACTERISTICS
1. Module shall be for outdoor use.
 2. Module shall have anti-reflective paint or coating applied to display face. Black state across all modules shall exhibit a Delta E color variation of no more than .4.
 3. Modules shall have horizontal louvers running between LEDs or pixels.
 4. Modules shall be able to be removed and installed from both the front and rear of the display.
 5. It shall not be necessary to remove or insert screws in order to remove or install a module.
 6. Module shall be silicon potted on face beneath louver and rear, providing a 100% waterproof seal, regardless of module, cabinet, or panel construction.
- F. LED CABINET/PANEL CHARACTERISTICS
1. 16mm Pitch
 2. Paint borders of cabinet
 3. Gradations Per Color: 16,384.
 4. Color Capability: 16 bit (281 trillion colors).
 5. Refresh Rate: 2,400 Hz as defined by the number of times per second the display image is repainted in intensity.
 6. Display shall have signal redundancy allowing for signal path both forward and backwards through modules allowing for loss of only 1 module vs. rows or blocks of multiple modules in case of failure
- G. VIDEO PROCESSING
1. Video Frame Rate: 50/60 frames per second.
 2. Graphic Frame Rate: 30 frames per second.
 3. Processing Architecture: 22-bit distributed
 4. System Architecture: 100% digital
 5. Video Enhancement: Color space conversion, adjustable gamma correction, proprietary sharpening technology and enhancement algorithms for optimal picture quality.
 6. Standards Supported: NTSC and PAL
 7. Acceptable Video Inputs: Analog composite or component or SDI
- H. LED QUALITY
1. Quality Control: Sorted by intensity and color wavelength.
 2. LED Lifetime: 100,000 hours of operation as defined by time at which display intensity has decreased to 50 percent of the original intensity.
- I. DISPLAY CONSTRUCTION
1. **Service Access: Front or Rear. Provide built-in catwalk at rear.**

2. Weatherproofing: Enclosed circuit board, sealed inputs and outputs, potted LEDs and a ventilation system designed for high humidity or heat. Component Ingress Protection Rating of 66. To achieve this standard, each module must be capable of operating properly while completely submerged in water.
- J. VIEWING CHARACTERISTICS
1. Module Intensity: 10,000 nits Minimum (adjustable).
 2. Brightness Control: 65,535+ levels (manual, scheduled or automatic).
 3. Contrast Ratio: 1,200:1 Minimum
 4. Suggested Horizontal Viewing Angle: 160° horizontally, as defined by the angle at which display intensity drops to 50 percent of direct frontal intensity.
 5. Suggested Vertical Viewing Angle: 60°, vertically, as defined by the angle at which display intensity drops to 50 percent of direct frontal intensity.
- K. DISPLAY INTERFACE
1. Each of the full-color video displays MUST have the ability to interface and display realtime data from the control system without the need for a duplicate or redundant input.
- L. WIRELESS CONTROLLER
1. Each controller console to be furnished with one transmitter and one flexible antenna.
 2. Each scoreboard and timer to be furnished with one receiver and one flexible antenna.
 3. System allows for synchronized operation of two or more scoreboards from one controller.
 4. System utilizes Spread Spectrum Technology redundantly transmitting the same data at least 16 times per second.
 5. System must “hop” channels using 25 different frequencies at a rate of 10 per second.
 6. System refreshes the scoreboard with new data no less than 10 times per second for smooth and accurate operation of game clocks, including 1/10 second timing.
 7. System has a minimum transmission range of 1000 feet outdoors.
 8. System to be FCC certified.
 9. Transmitter and receiver are built into the controller and scoreboard and do not require additional mounting provisions or special placement.
- M. CALIBRATION
1. Pixel-to-pixel and module-to-module optical color calibration must be performed at the bidder’s factory. The bidder shall also provide easy-to-use calibration software that allows individual modules and pixels to be independently adjusted while in the display. If modules should need replacement during the life of the display, the calibration software must match newer modules’ brightness levels to older modules’ levels in order to preserve picture quality and maintain a uniform display appearance.
- N. VIDEO PROCESSORS
1. Minimum Standard Hardware Features
 - a. Video Frame Rate 24/30/50/59.5/60 Frames Per Second
 - b. 5 Integrated Digital Media Players
 - c. Processing Architecture: 32-Bit (16-Bit Color Processing)
 - d. System Architecture: 100% Digital
 - e. Video Enhancement: Color Space Conversion, Adjustable Gamma Correction
 - f. Standard Supported Formats: NTSC, PAL, HDTV
 - g. Video Inputs: HD-SDI, HD-Component, SD-SDI, SD, Component
- O. DIGITAL MEDIA PLAYERS
1. Minimum Standard Hardware Features
 - a. Resolution: 1080p full motion
 - b. Hardware Features
 - 1) 8 GB DDR2 SDRAM (single channel)
 - 2) 3 TB solid state drive
 - 3) Dual Network Ports 10/100/1000 Ethernet (RJ-45 LAN)

VIDEO SCOREBOARD AND RELATED SYSTEMS

- 4) Audio output: 3-pin XLR balanced
- 5) Ports: 6 USB 2.0, 4 USB 3.0
- 6) Inputs: Component or Composite or SDI (HD-SDI)
- 7) Outputs: DVI to Video Wall Processor
- 8) Animation rates of up to 60 frames per second Processor

P. VIDEO SCREEN CONTENT CONTROLLER HARDWARE

1. Minimum Hardware Features
 - a. 2.6 Ghz Intel Core I5 Dual-Core 4th Gen
 - b. Cache: L3:3MB
 - c. Memory: 8 GB
 - d. Graphics Intel Iris Graphics
 - e. Hard Drive: 1 TB 5400 Minimum
 - f. (2) Thunderbolt Ports
 - g. (1) HDMI Port
 - h. Mouse, Keyboard, and 24-Inch Monitor

Q. SCOREBOARD CONTROL CONSOLE INTERFACE

1. 1. D-Sub 9-Pin Input
2. 2. D-Sub 9-Pin Output
3. 3. BNC Connector
4. 4. ¼" TRS Connector
5. 5. Network Port
6. 6. Capable of talking to multiple scoreboards
7. 7. Must interface with the existing scoreboard controller

R. Loudspeakers

1. Two 12-inch low frequency drivers
2. Two 2-inch mid-range frequency drivers
3. One 1-inch high frequency driver
4. frequency range 71Hz to 19.5kHz
5. Coverage Pattern 50x20
6. power rating
 - a. Low 1200W @ 8 ohms
 - b. Mid 350W @ 8 ohms
 - c. High 350W @ 8 ohms
7. 3-Layer Weather-Stop
8. Acceptable Products
 - a. Community Pro R2-52MAX
 - b. Community Pro R6-51BIAMP
9. Required Accessories
 - a. Community Pro PMB-2RR
 - b. Adaptive YM-R6

S. Subwoofers

1. Six 12-inch long range low frequency drivers
2. Frequency Range 48Hz to 185Hz
3. Power Rating
 - a. 1200W @ 4 ohms
4. 3-Layer Weather Stop
5. Acceptable Product
 - a. Community Pro R6-BASSHORN

T. Amplifiers

1. Power Rating
 - a. 3200W @ 4 ohms
 - b. 2000W @ 8 ohms
 - c. DSP onboard
 - d. Networkable

U. Cabinet Enclosures Construction & Finishes

1. All enclosure panels to be all aluminum alloy with a 0.050" metal thickness on the front and sides.
2. Cabinet to be all aluminum and galvanized steel construction. Provide as follows:
 - a. Provide rigid steel catwalks at video cabinet for service technician to work from. Min. 30" width.
 - b. Provide ladder access from lowest components (scoreboard or sign) up into bottom of video cabinet display at both ends of cabinet such that it can be accessed from either end for service.
 - c. Cabinet shall be fully sealed to prevent water intrusion.
 - d. Provide adequate ventilation, as required by the manufacturer. Ventilation should prevent intrusion from flying insects.
 - e. All electrical circuit panels for video display shall be located within enclosed cabinets.
 - f. Rear side of video cabinet shall be solid black prefinished aluminum.
3. Paint on scoreboard cabinet to be heavy duty, commercial grade, UV resistant paint, or approved equal, and to include a 10 year warranty against fading, peeling, and cracking. Colors to be selected by the Architect from the manufacturer's standards.

V. SPONSOR SIGNAGE

1. Provide sponsor signage in configurations shown on the drawings and as outlined below:
 - a. Include one contour-cut mascot that extends above arch of truss and include contour-cut lettering. Contour-cut mascot shall be 1" deep and fully enclosed with aluminum face, sides and back. Contour-cut lettering shall be 1" deep and fully enclosed with aluminum face, sides and back. Single thickness panels (sometimes attached to expanded metal screen) will not be accepted for this contour-cut mascot. Provide computer-cut adhesive sign vinyl with facility's mascots on the face of the contour-cut mascot panels, including all colors, as required. Must provide accurate approval drawing to Owner before delivery.
 - b. Applied Sponsor Signage: Provide computer-cut high performance adhesive sign vinyl with advertiser's logos, including all colors, as required. Must provide accurate approval drawing to Owner before delivery.
 - c. Rear-Lit Sponsor Signages: fully enclosed all aluminum cabinets, to be mounted securely as shown on drawings and to right side of each delay-of-game timer. Provide internal LED lighting with electronic ballasts. Sign face shall be translucent "flexible-cloth" with translucent vinyl graphics. Provide computer-cut adhesive translucent sign vinyl with advertiser's logos (non-digital artwork), including all colors, as required. Must provide accurate approval drawing to Owner before delivery.

2.3 GAME CLOCKS

- A. Provide two LED delay-of-game timers, 6'-0" wide by 3'-0" high, displaying TIME REMAINING in seconds for periods up to 99 seconds or less. Provide all necessary vinyl captions and vinyl trim for above. Cabinet color to be Black.
 1. Provide White LED's on all digits.
 2. Paint back of timers Black.
 3. Provide wireless handswitch with TIMER on/off and RESET1 and RESET2 switches for remote operation of timers. Each reset is programmable for any reset time from 0-99 seconds. Handswitch communicates by wireless signal to controller console listed above.

VIDEO SCOREBOARD AND RELATED SYSTEMS

PART 3- EXECUTION

3.1 INSTALLATION

- A. Manufacturer is to inspect the site of the installation prior to beginning fabrication of scoreboard, steel, etc. Notify the Contractor and Architect of any issues affecting ability to install as specified herein or in accordance with manufacturer's instructions.
- B. Protect all components at the job site, keep dry and ventilated, and in accordance with the manufacturer's instructions until install can commence.
- C. Install structural components as detailed by the manufacturer's engineer as outlined above.
- D. Install all video control equipment and video transmission system in strict accordance with the manufacturer's instructions to provide a fully functioning system.
- E. Provide and install fiber wire in Owner's conduit for operation of video display. Provide and terminate fiber ends for properly operating video display.
- F. Install timers on existing timer structures.
- G. Remove existing scoreboard and structure. Existing columns are to be cut off at ground level; existing concrete footings are to be left in place. Owner shall be responsible for discarding existing scoreboard and structure.
- H. Installation to be performed by qualified personnel from the scoreboard selling company.

3.2 SERVICE

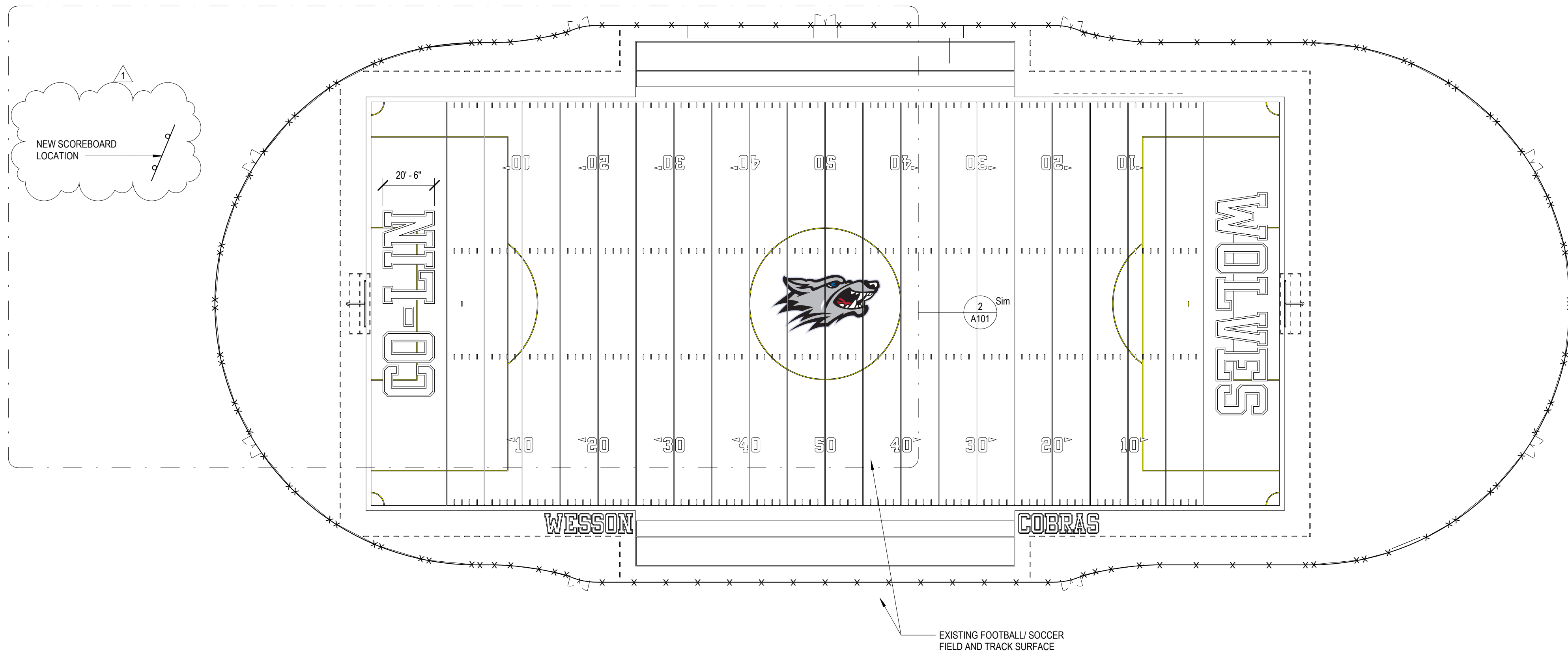
- A. Provide a minimum of one day on-site training for scoreboard operation, video display and electronic advertising displays, service and maintenance procedures.
- B. Provide the following:
 - 1. Sports marketing plan to generate revenue both locally & nationally
 - 2. Ongoing media consultation and support
 - 3. Game script collaboration for overall production during games
 - 4. Classroom training for media team
 - 5. Continuing support to create custom content tailored toward your needs, any-time remote access for troubleshooting the video board or software, 24/7 emergency phone number for urgent needs, etc.
- C. Provide such service for first year of operation.
- D. Provide service agreement/proposal for ongoing service thereafter.

END OF SECTION

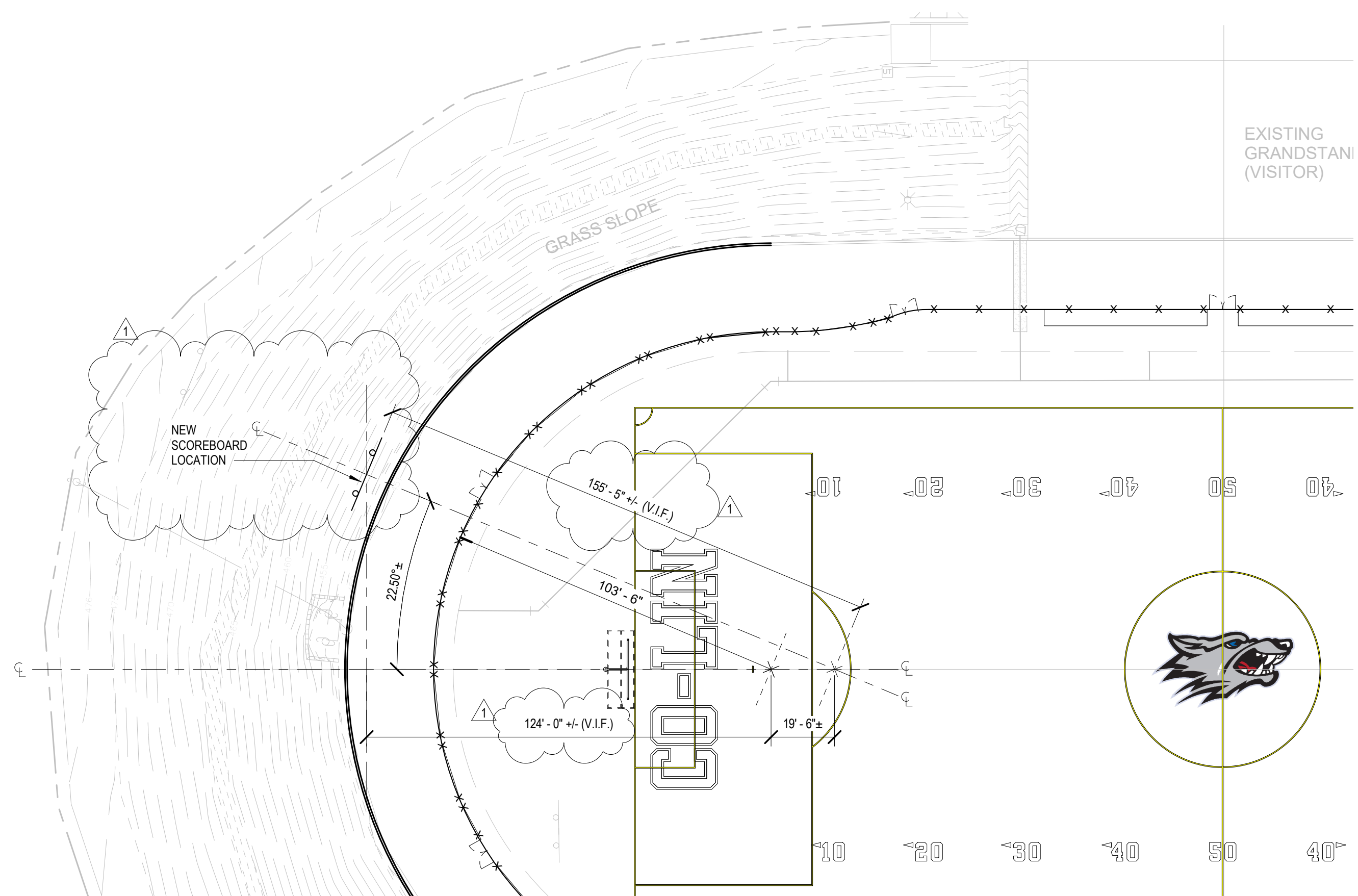
**FOOTBALL FIELD
SCOREBOARD
REPLACEMENT**

**COPIAH-LINCOLN
COMMUNITY COLLEGE**

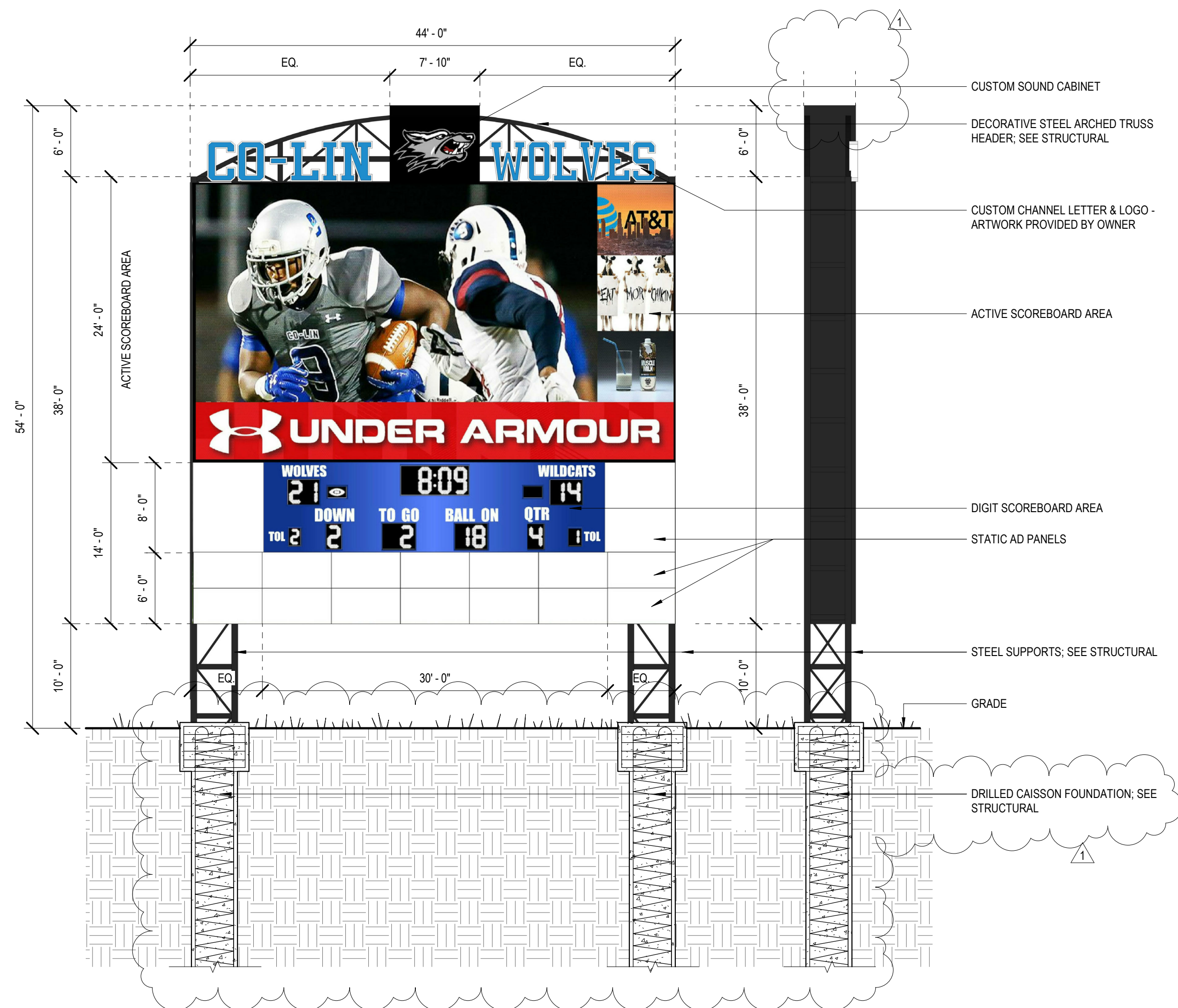
H F McCarty Dr.
Wesson, MS 39191



1 ARCHITECTURAL SITE PLAN
1" = 30'-0"



2 ARCHITECTURAL SITE PLAN
1" = 30'-0"



3 SCOREBOARD ELEVATIONS
1/8" = 1'-0"



January 22, 2020

CONSTRUCTION
DOCUMENTS

WBA #: 7318

REVISIONS

NO.	DESCRIPTION	DATE
1	Addendum No. 01	02.17.2020

A101

ARCHITECTURAL SITE PLANS &
SCOREBOARD ELEVATIONS

**FOOTBALL FIELD
SCOREBOARD
REPLACEMENT**

COPIAH-LINCOLN
COMMUNITY COLLEGE

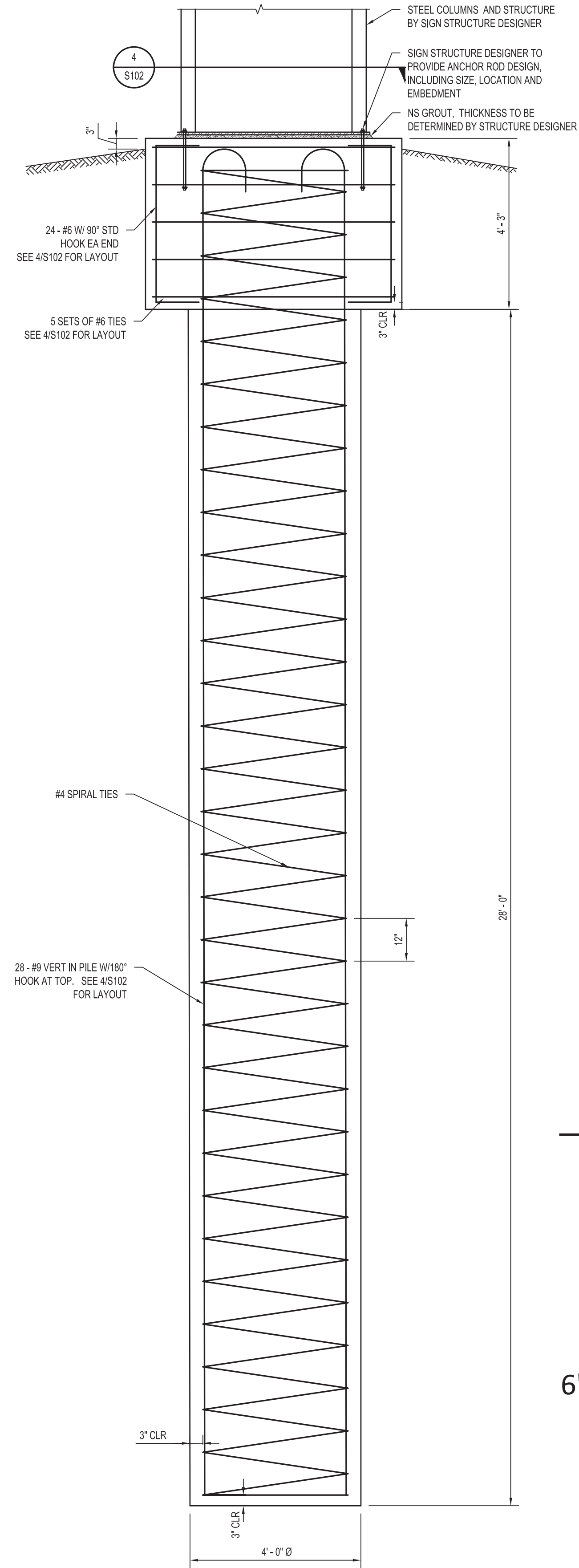
H F McCarty Dr.
Wesson, MS 39191

DETAIL OMITTED VIA
ADDENDUM NO. 01

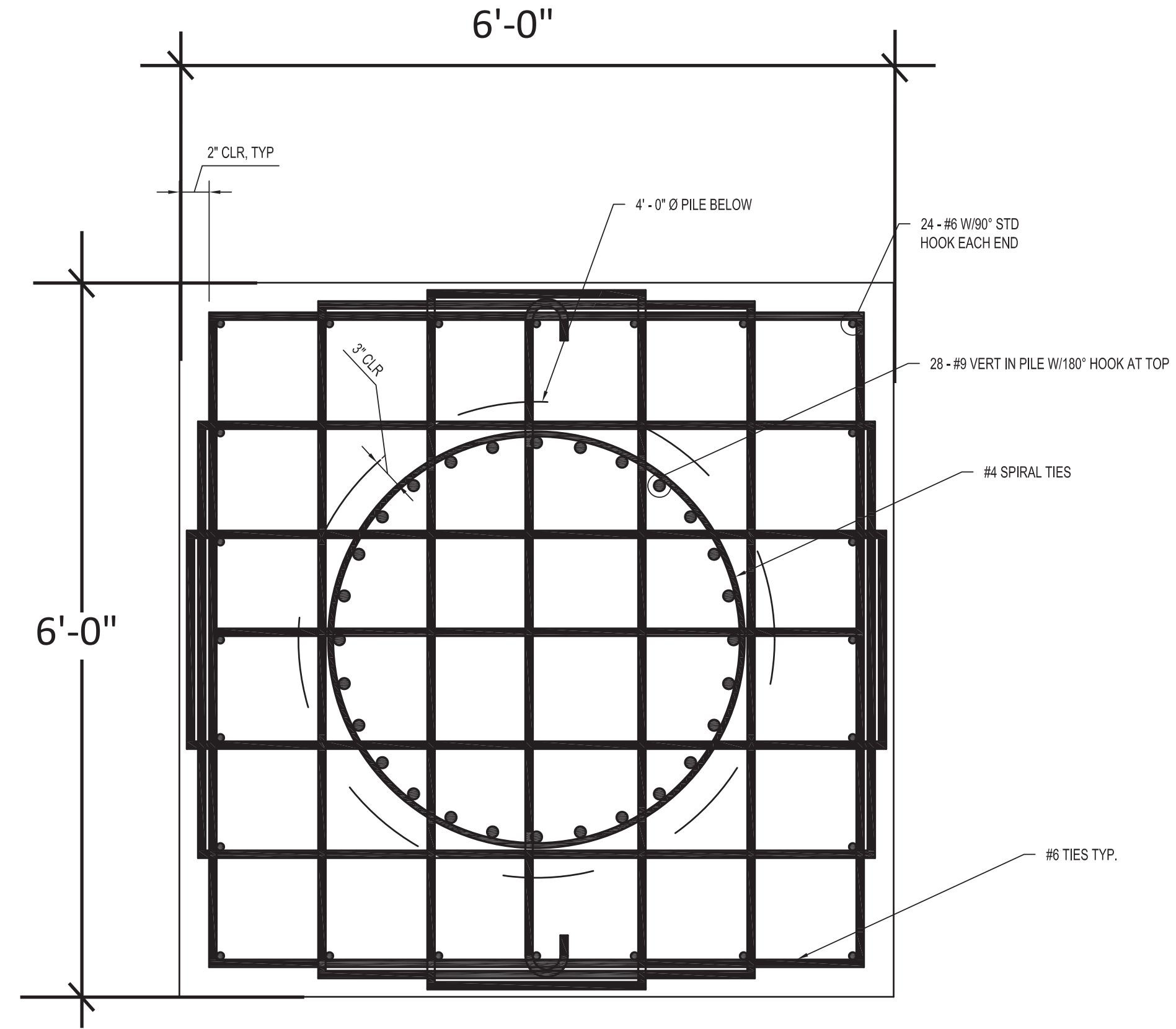
1 SECTION
S102 SCALE: 1"=1'-0"

DETAIL OMITTED VIA
ADDENDUM NO. 01

2 PEDESTAL REINF PLAN
S102 SCALE: 1"=1'-0"



3 SECTION
S102 SCALE: 1/2"=1'-0"



4 SECTION
S102 SCALE: 1"=1'-0"



January 22, 2020
CONSTRUCTION
DOCUMENTS
WBA #: 7318

REVISIONS		
NO.	DESCRIPTION	DATE
1	Addendum No. 01	02.17.2020